



### High Performance Two Camera System

- ◆ High Resolution Thermal Imaging
- ◆ Color Day Camera with Optical Zoom
- ◆ Auto-Focus — Thermal and Day
- ◆ Protected to IP-67
- ◆ Integrated Pan/Tilt
- ◆ Alarm Function
- ◆ Single Point Addressable

### SR-700PTZ-Dual

The SR-700PTZ-DUAL is a 24-hour imaging system including a high performance thermal imaging camera for high contrast imagery in complete darkness coupled with a color zoom day camera. Complete with integrated pan/tilt and command interpreters, the SR-700PTZ-DUAL employs standard Pelco protocols for ease of integration and use. These cameras are environmentally sealed and pressurized to IP-67 for complete protection from water and dust infiltration. Lens defogging is automatic and a shroud provides solar protection. The rugged and reliable pan/tilt mechanism is sealed to IP-66 for water repellency from rain and wash-down. Auto focus with manual override is standard on both the thermal and day cameras. Four lens options on the thermal camera provide up to 12 pixels on target at up to 3450 feet with detection range beyond two miles. The day camera provides optical zoom to 26x and combined optical/digital zoom to 312x. The system's modular design means both day and thermal camera are field replaceable.

### Product Features

#### Thermal Camera

- 320x240 microbolometer
- 30°, 15°, 9.5° or 4.75° HFOV options
- 2X digital zoom
- Motorized focus standard
- Automatic focus standard
- 24-hour, zero light to daylight high contrast thermal performance
- Radiometrically engineered for continuous dependable imaging

#### Day Camera

- Color CCD
- 680k effective pixels
- 470 lines of resolution
- 26x optical zoom
- 42° to 1.6° HFOV
- 12x digital zoom
- Automatic, motorized focus standard
- 2.0 lux with 0.05 lux option

#### Pan/Tilt

- 360° continuous pan
- Tilt: +33° to -83°
- Manual Pan: 0.5° to 20°/sec
- Turbo mode pan: 100°/sec
- Manual Tilt: 0.5° to 40°/sec
- Preset speeds:
- Pan: 100°/sec
- Tilt: 30°/sec pan
- Operational in up to 90mph winds

### Lens Options

Model	Thermal Lens	HFOV	12 POT (Identification)*	2 POT (Detection)*
SR-700W-PTZ-DUAL	25mm	30°	534 ft (163m)	1712 ft (522m)
SR-700M-PTZ-DUAL	50mm	15°	1089 ft (332m)	3487 ft (1063m)
SR-700D-PTZ-DUAL	75mm	9.5°	1725 ft (526m)	5524 ft (1684m)
SR-700X-PTZ-DUAL	150mm	4.75°	3450 ft (1051m)	11048 ft (3367m)

\* Thermal Imager Pixels on Target, standing man, normal atmosphere



# SR-700PTZ-Dual

## Thermal Imaging for Security & Surveillance

### 24 hour Thermal Imaging

Detector	320x240 microbolometer
Spectral range	7.5-13µm LWIR
Sample rate	60Hz
NETD (fpa)	<50mK T/1, 60Hz
Focus	Motorized auto focus Manual override
Lens	F/1.4, radiometric, purged and sealed.
Horizontal FOV	30°, 15°, 9.5° and 4.75° available
Gain Control	Automatic
Zoom	2X digital
Color Signatures	2 B&W, 8 Color

### Daylight Imaging

Detector format	1/4 type CCD Super HAD
Spectral range	Color Day
Resolution	680k pixels, 470 TV lines
Sensitivity	2.0 lux standard, Available to 0.05 lux
Focus	Internal motorized auto focus
Zoom range	26x optical, 12x digital
Horizontal FOV	42° (wide) to 1.6° (tele)
Video output	RS-170 NTSC
Automatic Features	Auto IR Cut Filter Removal Electronic stabilization
Gain Control	Automatic, Manual Override

### Physical

Size	9" wide x 12.5" long x 18" high with base, varies with lens selection
------	---

### Input & Outputs

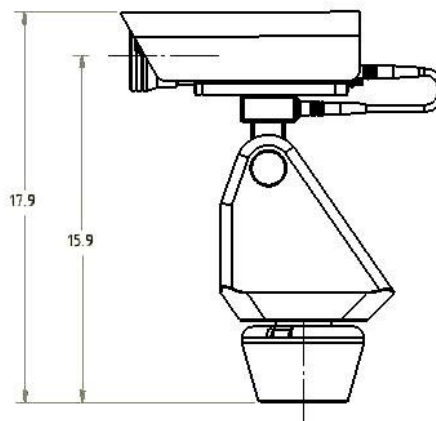
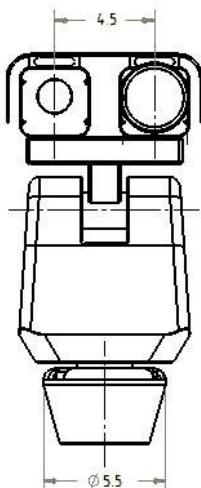
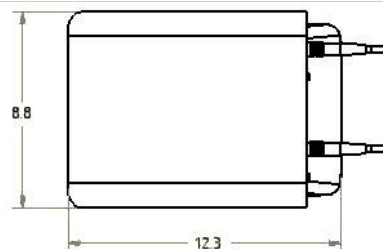
Video	Dual video output: Day & Thermal RS-170 NTSC PAL-B 50Hz or PAL-B 9Hz optional
Connectors	Per Mil-C-26482
Command	RS-422/485 Pelco P & D Protocols standard. Available translator boards for Bosch (Philips, Burle), AD Manchester, Hemis, NTCIP, Sensomatic and Vicon protocols
Power	24VAC 120/230VAC 50/60Hz optional

### Environmental

Encapsulation	IP-67, Cameras, purged and pressurized IP-66, Pan/Tilt
Temperature	-32° to +50°C Storage & Operation Built-in Automatic Heaters
Lens defogging	Automatic, thermal and day cameras

### Pan/Tilt

Alt Range	+33° to -83° from the Horizontal
Alt Speed	0.5° to 20°/sec variable speed operation
Az Range	360° Continuous pan rotation
Az Speed	0.5° to 40°/sec variable speed operation
Az Speed	100°/sec Turbo mode



### Contact:

Critical Imaging LLC  
2306 Bleecker Street  
Utica, New York 13501  
315.732.1544  
FAX 315.732.5931  
info@criticalimaging.net  
[www.criticalimaging.net](http://www.criticalimaging.net)

Model SR-700D PTZ-DUAL shown (inch)